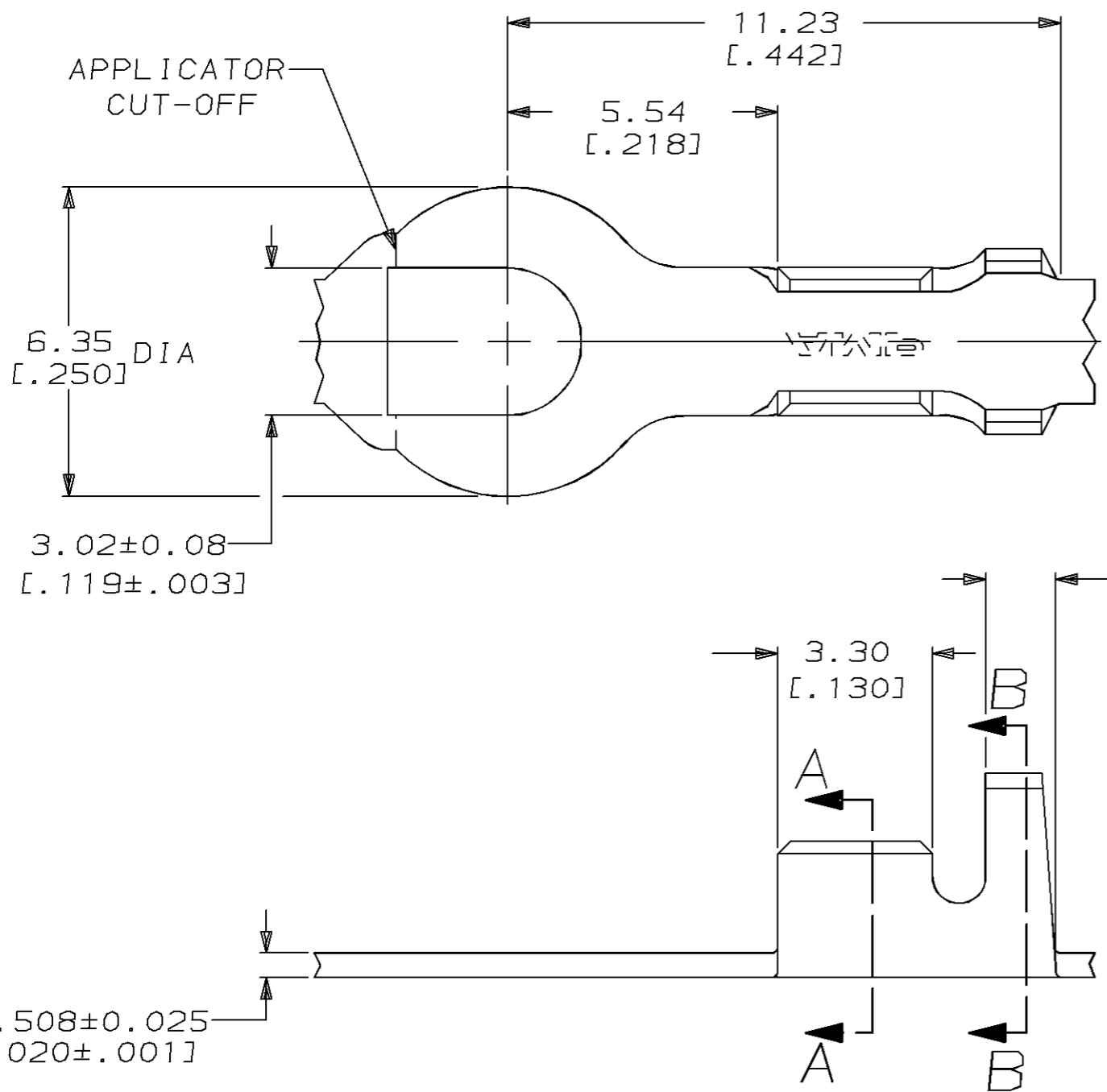
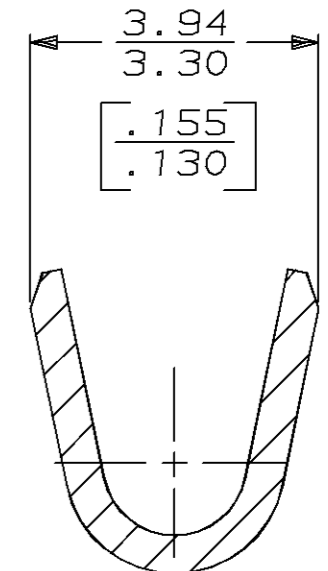
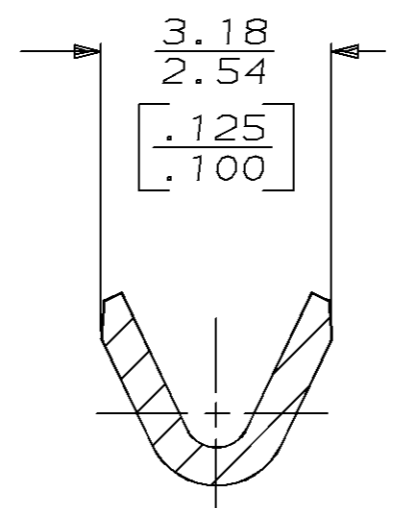


THIS DRAWING IS UNPUBLISHED. RELEASED FOR PUBLICATION, 19 .
 © COPYRIGHT 19 BY AMP INCORPORATED. ALL INTERNATIONAL RIGHTS RESERVED.

LOC	DIST	P	F	REVISIONS				
AF	50			ZONE	LTR	DESCRIPTION	DATE	APPD
					A	REDRAWN PER 0710-0095-95	09/MAR/95	PF/GY



1 CONTINUOUS STRIP ON REEL.



THIS DRAWING IS A CONTROLLED DOCUMENT FOR AMP INCORPORATED. IT IS SUBJECT TO CHANGE AND THE CONTROLLING ENGINEERING ORGANIZATION SHOULD BE CONTACTED FOR THE LATEST REVISION.

1.90-2.54 DIA [.075-.100]		[24-20] AWG	61238-1
INSULATION RANGE		WIRE RANGE	PART NO
DO NOT SCALE PRINT. UNLESS SPECIFIED DIMENSIONS IN mm [INCHES] TOLERANCES ON: 2 PLC DEC ± 0.25 [.010] 3 PLC DEC ± - ANGLES ± -		AMP AMP Incorporated Harrisburg, PA 17105-3608 NAME SPADE	
MATERIAL 082 BRASS	DR 09/MAR/95 PHILLIP M FORTNEY CHK 09/MAR/95 JEFF R RUTH APPD 09/MAR/95 GARY YETTER APPD 09/MAR/95 MARK BARNABA PRODUCT SPEC -	SIZE B	CAGE CODE 00779
FINISH 0.002032 [.000080] MIN TIN PL PER MIL-T-10727	APPLICATION SPEC -	DRAWING NO C-61238	SCALE 8:1
WEIGHT -		SHEET	1 OF 1